



Engine	Cummins QSF3.8
Rated Power	74 kW (99 hp / 101 ps) @ 2,200 rpm
Net Power	69 kW (92.5 hp / 94 ps) @ 2,200 rpm
Maximum Dig Depth	5,470 mm
Standard Bucket Capacity	0.55 m ³
Operating Weight	13,500 kg

913E EXCAVATOR

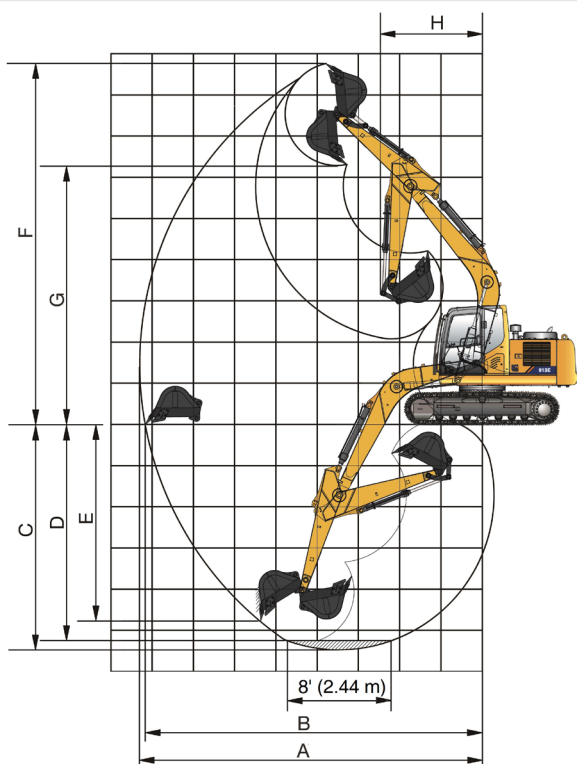
913E SPECIFICATIONS >>>

ENGINE

Emission Regulation	Stage IIIA
Manufacturer	Cummins
Model	QSF3.8
Rated Power	74 kW (99 hp / 101 ps) @ 2,200 rpm
Net Power	69 kW (92.5 hp / 94 ps) @ 2,200 rpm
Peak Torque	420 N·m @ 1,000~1,600 rpm
Number of Cylinders	4
Displacement	3.76 L

UNDERCARRIAGE

Shoe Width	500 mm
Number of Shoes per Side	44
Number of Bottom Rollers per Side	7
Number of Upper Rollers per Side	1



BOOM & ARM

Boom Length	4,600 mm
Arm Length	2,500 mm

BUCKET PERFORMANCE

Std. Bucket Heaped Capacity (Referenced)	0.55 m ³
Min. Heaped Capacity of Bucket Options	0.36 m ³
Max. Heaped Capacity of Bucket Options	0.58 m ³

TRACK DRIVE

Maximum Travel Speed	5 km/h
Drawbar Pull	132 kN

SERVICE CAPACITIES

Fuel Tank	245 L
Engine Oil	12 L
Cooling System	21 L
Hydraulic Reservoir	130 L
Hydraulic System Total	200 L

HYDRAULIC SYSTEM

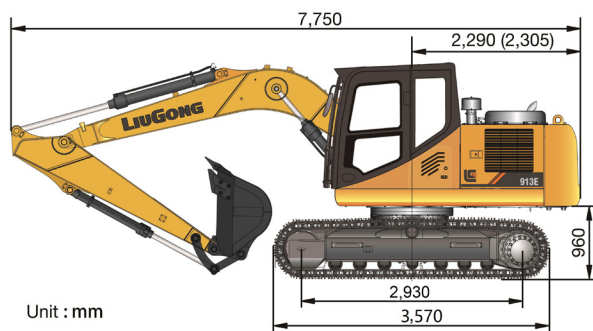
Main Pumps Total Flow	2×120 L/min
Relief Pressure, main	34.3 MPa

SWING SYSTEM

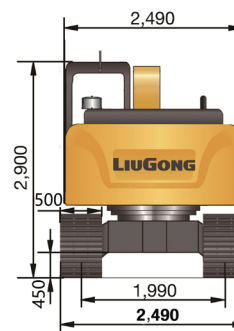
Swing Speed	12 rpm
-------------	--------

WORKING RANGE

A. Max. Digging Reach	8,300 mm
B. Max. Digging Reach on Ground	8,170 mm
C. Max. Digging Depth	5,470 mm
D. Max. Digging Depth, 2.44 m (8') level	5,250 mm
E. Max. Vertical Wall Digging Depth	4,770 mm
F. Max. Cutting Height	8,760 mm
G. Max. Dumping Height	6,310 mm
H. Min. Front Swing Radius	2,470 mm
Bucket Digging Force (ISO)	89.8 kN
Arm Digging Force (ISO)	64.9 kN



Unit : mm



Guangxi Liugong Machinery Co., Ltd.

No. 1 Liutai Road, Liuzhou, Guangxi 545007, PR China
T: +86 772 3886124 E: overseas@liugong.com
www.liugong.com

05/2020 Designed by LiuGong

Specifications and designs are subject to change without notice. Machines shown may include optional equipment. LiuGong standard and optional equipment may vary from region to region. Please consult your LiuGong dealer for information specific to your area. Engine power kW is converted to horsepower (1 kW=1.3596 ps and 1 kW=1.3410 hp) in this file.